

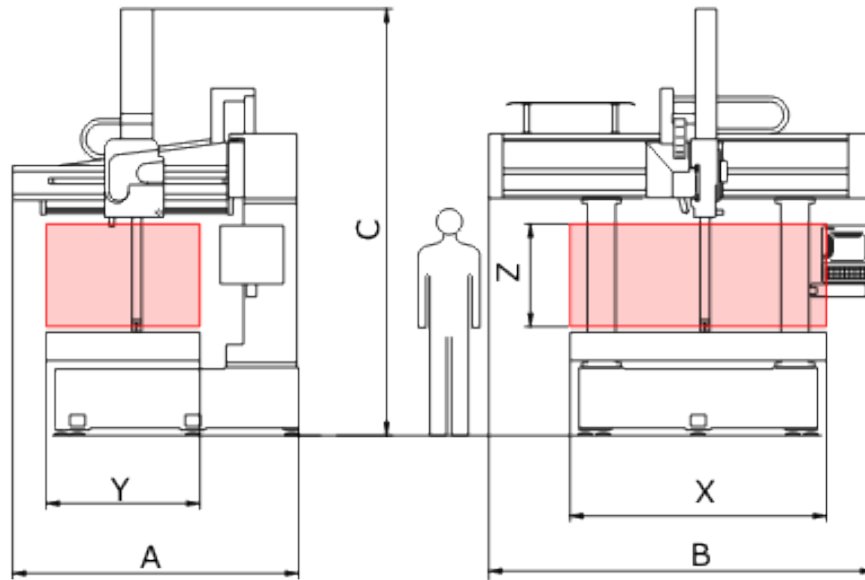


Coord3 DCC CMM

Model : TR

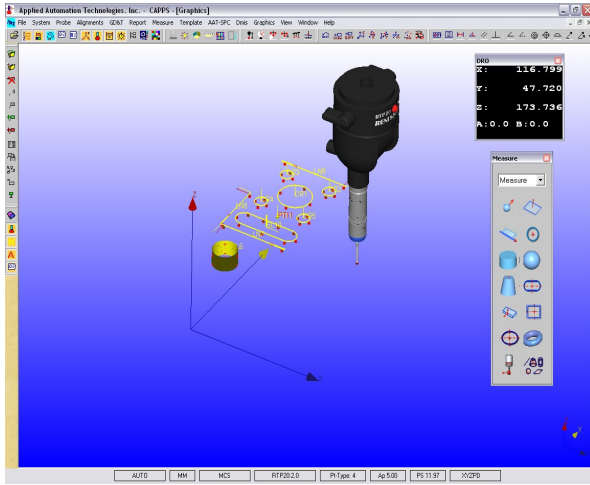
The TR by Coord3 is an accurate and cost effective solution to your quality inspection needs. Its rigid frame and open structure make it ideal for shop floor installation (optional thermal probes). This machine is capable of free form, digitized, point to point and continuous scanning inspections. Multiple machine travel lengths are available!

- | | |
|-----------------|-----------------------------|
| 1. Style : | DCC |
| 2. Probe : | RTP20 |
| 3. Controller : | Deva or Renishaw components |
| 4. Software : | CAPPS-DMIS |
| 5. Frame Type : | Cantilever |
| 6. Resolution : | 3.0 um |



Model	Strokes [mm]			Overall dimensions[mm]		
	X	Y	Z	A	B	C
TR 20	2000	1200	800	2230	2990	3350
TR 20S	2000	1200	800	2230	2990	3520
TR 20SL	2000	1200	1000	2230	2990	3720
TR 25	2500	1200	800	2230	3490	3350
TR 25S	2500	1200	800	2230	3490	3520
TR 25SL	2500	1200	1000	2230	3490	3720
TR 32	3200	1400	1000	2490	4190	3740

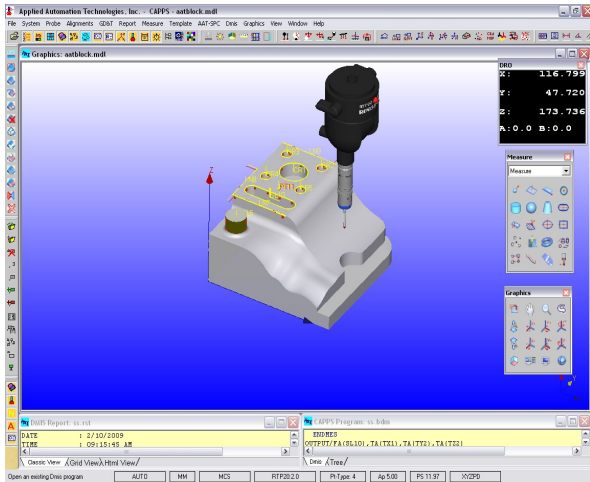
CAPPS Powerfully Simple



Capps Powerfully Simple is the least expensive measurement software with complete geometrical measuring capabilities.

- Complete measurement and GD&T
- Complete construction Methods
- Easy alignment and calibration
- Easy to learn 3D graphics menus and toolbars
- Measurements displayed in 3D
- Easy CAD like 3D graphics with user interaction
- Flexible reporting options with spread sheet like editing
- Scalable digital readout
- DMIS input/output options
- Easy upgrade to Basic Plus or Advanced

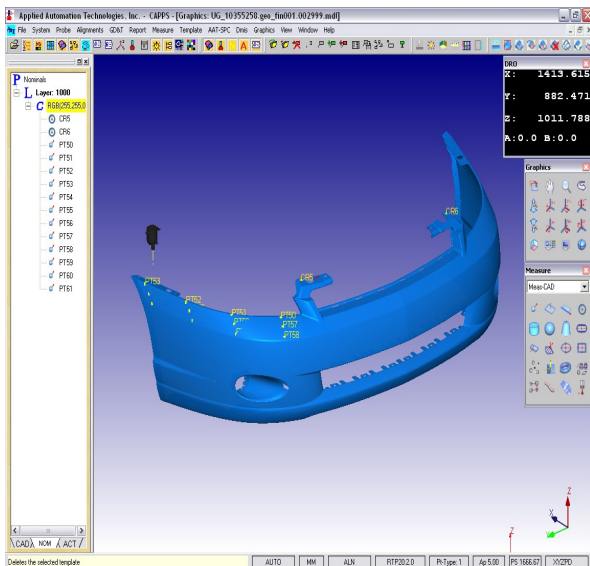
CAPPS Basic Plus



Capps Basic Plus is a complete measurement software with CAD capability for geometrical features.

- Native DMIS programming
- Automatic Probe Calibrations
- MGP CAD alignment macros
- Import and display CAD models with wireframe elements
- Extraction of Nominals from wireframe or create from blue prints
- Adaptive curve scanning
- Reverse engineering to CAD
- Easy upgrade to CAPPS-DMIS Advanced

CAPPS Advanced



Capps Advanced is a CAD based metrology software with easy to use graphics. Complete control over mathematical model, easy and precise alignment methods, automatic feature measurements and geometry recognition. Parts can be measured with or without CAD models automatically creating DMIS programs. Features of our Advanced level software include:

- CAD master model at the CMM
- Automatic collision avoidance
- Auto Probe Calibration
- Advanced CAD operations for surface and curve manipulation
- Automatic probe path generation routines for all geometric and sheet-metal features
- Automatic feature extraction from a CAD model
- Advanced Fixtureless alignment methods with CAD